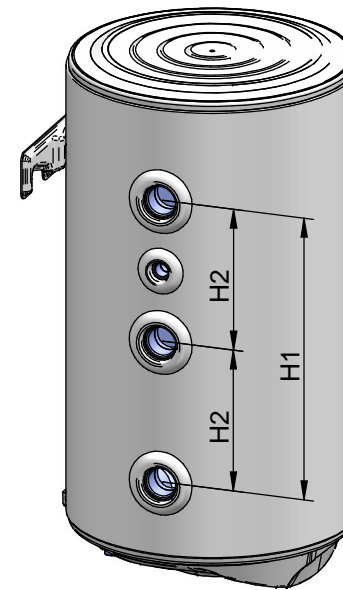
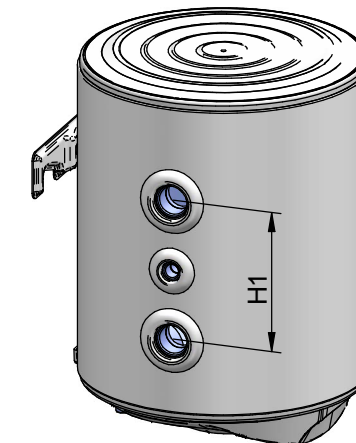


| BUFFER TANK | | | | |
|-----------------------------|-----|--------------|--------------|--------------|
| TECHNICAL DATA | | | | |
| Model | ... | BCE03039 | BCE05039 | BCE08039 |
| Volume range | ... | 30 | 50 | 80 |
| Energy efficiency class | ... | C | C | C |
| Standing loss heat | W | 46 | 53 | 61 |
| Rated pressure | MPa | 0.6 | 0.6 | 0.6 |
| Capacity | L | 29 | 45 | 75 |
| Working temperature min/max | °C | 5 / 95 | 5 / 95 | 5 / 95 |
| Insulation thickness | mm | 33 | 33 | 33 |
| Gross weight | kg | 15.5 | 20 | 28 |
| CONNECTIONS | | | | |
| 1: Inlet | | G 1/2 M | G 1/2 M | G 1/2 M |
| 2: Outlet | | G 1/2 M | G 1/2 M | G 1/2 M |
| 3: Inlet / outlet | | 4 x G1 1/4 F | 6 x G1 1/4 F | 8 x G1 1/4 F |
| 4: Flange | | Yes | Yes | Yes |
| 5: Socket for thermostat | | G1/2 F | G1/2 F | G1/2 F |
| DIMENSIONS | | | | |
| H | mm | 535 | 735 | 1100 |
| H1 | mm | 195 | 395 | 760 |
| H2 | mm | - | 200 | 250 |



BCE05039



BCE03039