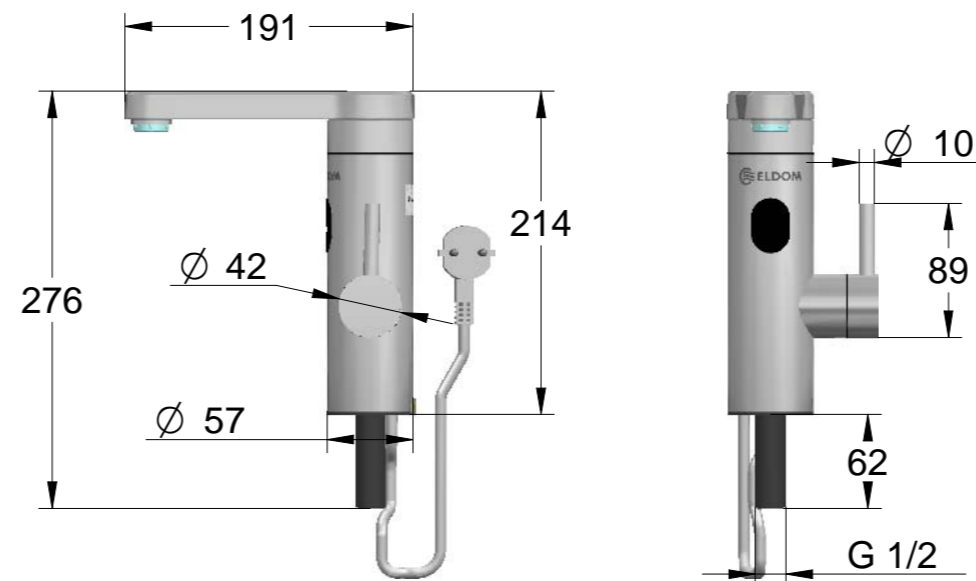
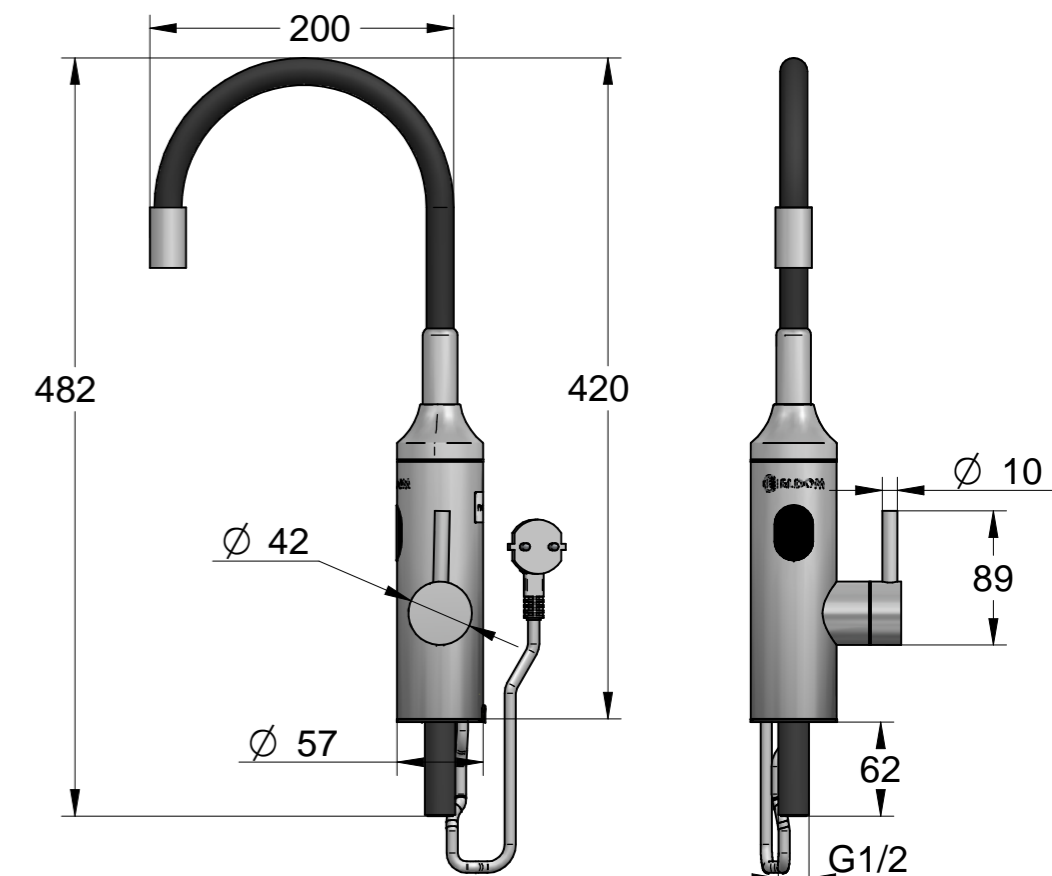


E31



E32



E33/E34

Electric instantaneous water heaters with free flow				
Model	E31	E32	E33	E34
Parameters				
Type of winch card	Metal winch	Plastic winch	Flexible winch with white silicone coating	Flexible winch with white silicone coating
Rated voltage [V]	230V~	230V~	230V~	230V~
Purpose	For sink	For a sink	For a sink	For a sink
Rated power [W]	3300W	3300W	3300W	3300W
Device type	Free draining unit (open-outlet water heater)	Free draining unit (open-outlet water heater)	Free draining unit (open-outlet water heater)	Free draining unit (open-outlet water heater)
Pressure [Mpa]	0	0	0	0
Water pressure in the water supply network [MPa]	0,1-0,6	0,1-0,6	0,1-0,6	0,1-0,6
Overall dimensions [mm]	400x229x57/100	214x191x57/100	420x200x57/100	420x200x57/100
Weight of the device without water [kg]	1	1	1	1

All parameters shown in the table are approximate.